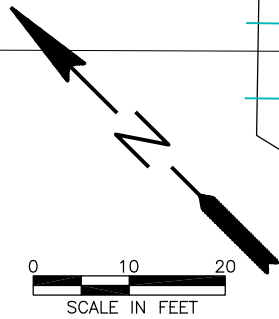
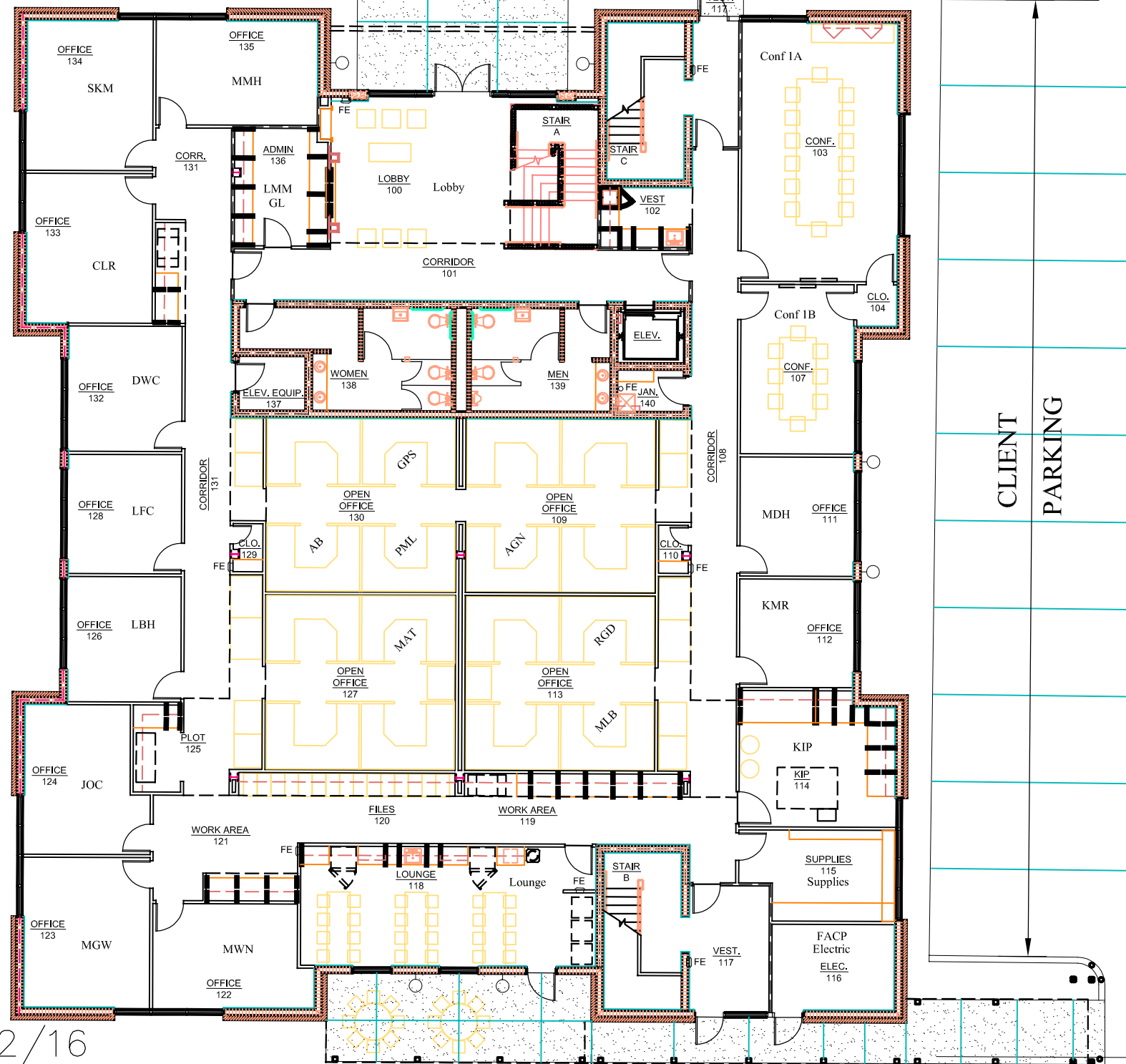


JOHNSON STREET



2122 Bldg

McGREGOR BLVD



CLIENT
PARKING

2146 BUILDING
PARKING

UPDATED 02/02/16

<http://www.johnsongis.com/Web-Misc/NewJEL-Bldg.htm>

Ground Floor 3 Story Bldg
Johnson Engineering, Inc.



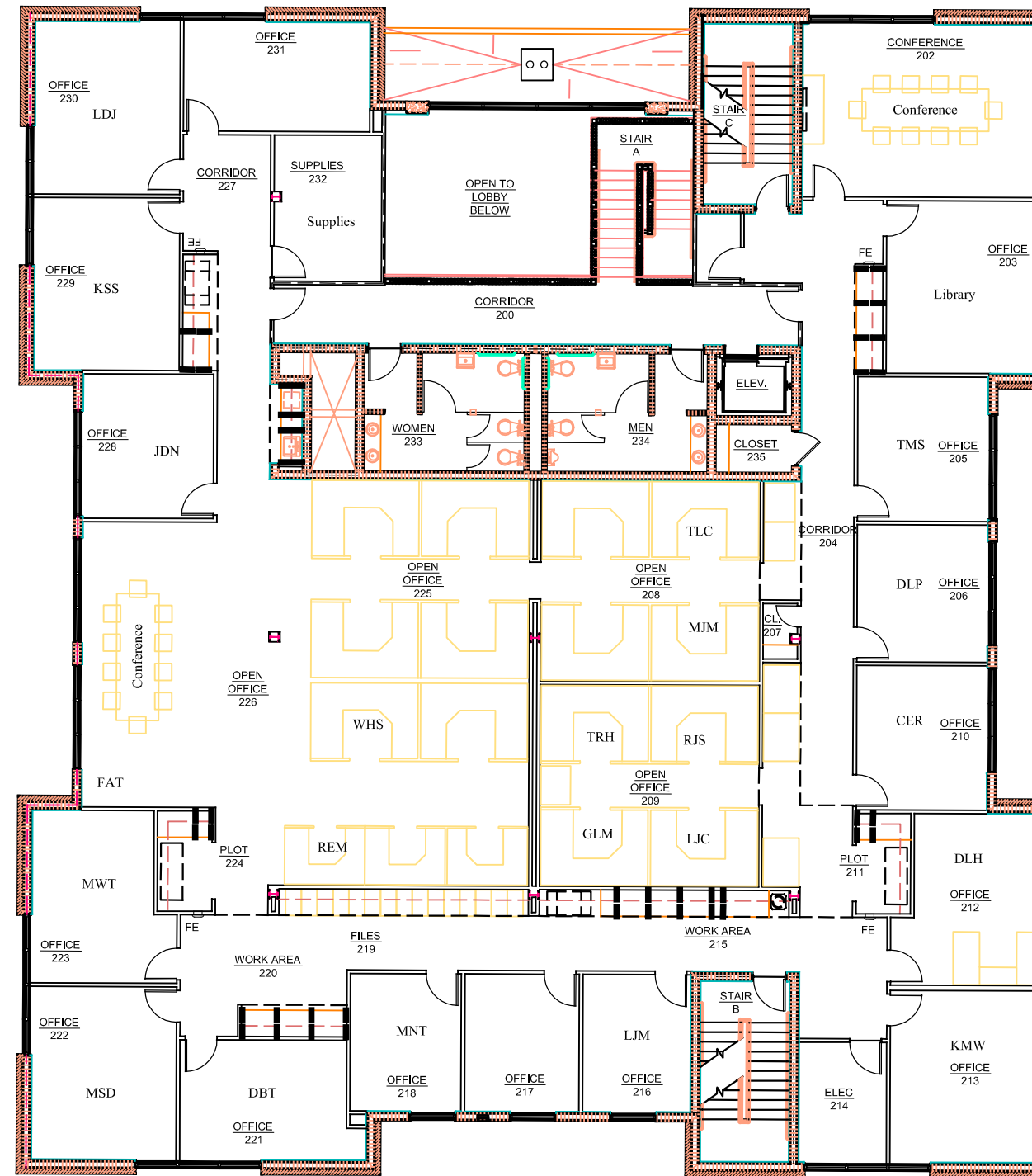
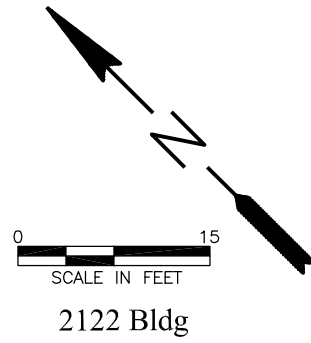
2158 JOHNSON STREET
P.O. BOX 1550
FORT MYERS, FLORIDA 33902-1550
PHONE (239) 334-0046
FAX (239) 334-3661
E.B. #642 & L.B. #642

Fort Myers Offices 2016

DATE	PROJECT NO.	FILE NO.	SCALE	SHEET
02/02/16	ProjNo	00-00-00	As Shown	1 of 1

\\ftms01\GIS\AutoCad Maps\JEL Floor Plans\Ft Myers Offices 2014.dwg (3 Story - Ground) m12 Feb 04, 2016 - 6:09pm

JOHNSON STREET



McGREGOR BLVD

SECOND FLOOR

UPDATED 02/02/16

<http://www.johnsongis.com/Web-Misc/NewJEl-Bldg.htm>

[Link for Name List](#)

\\\\ftms01\GIS\AutoCad Maps\JEl Floor Plans\Ft Myers Offices 2014.dwg (3 Story - Level 2) mil2 Feb 04, 2016 - 6:10pm

Second Floor 3 Story Bldg
Johnson Engineering, Inc.

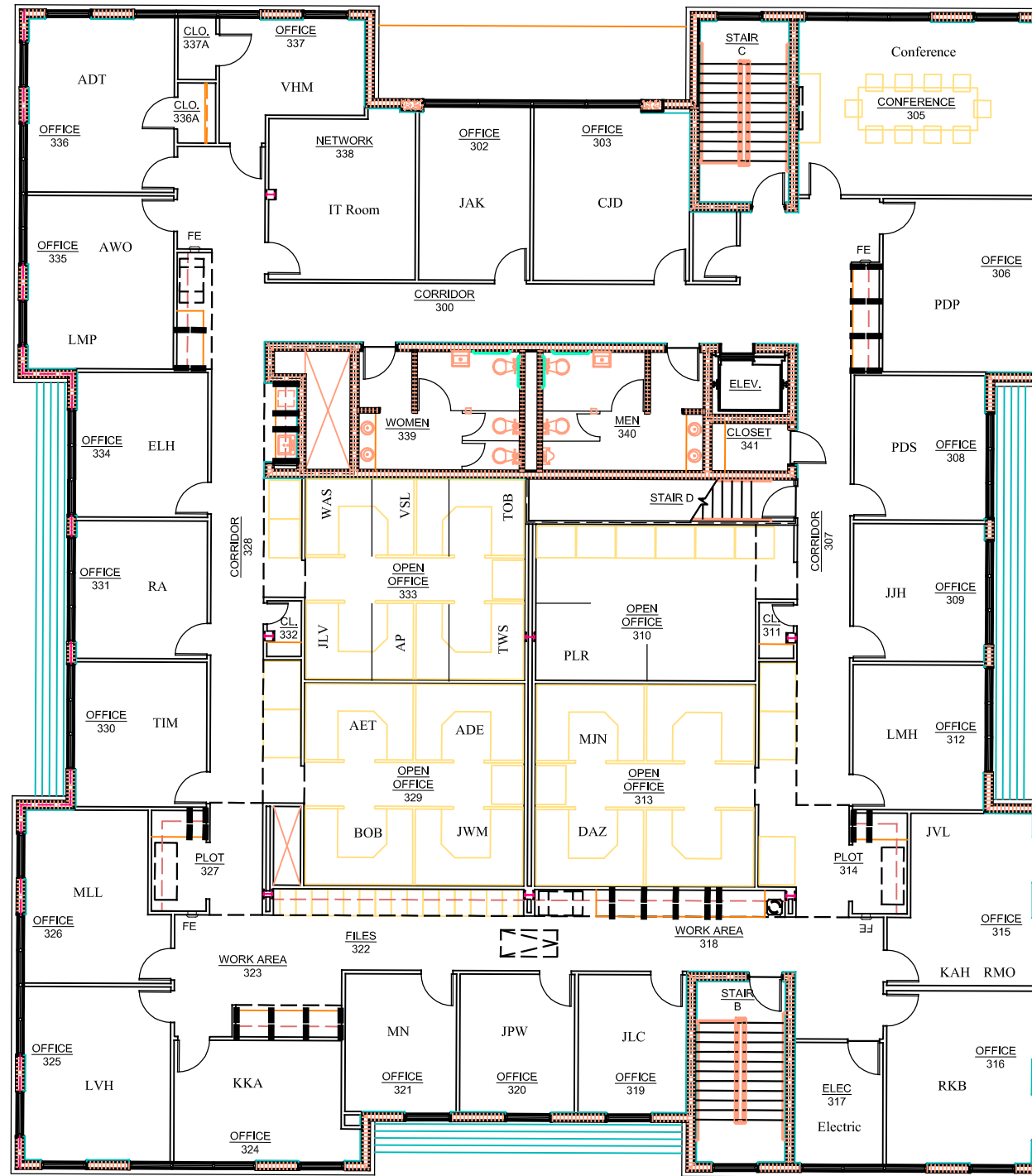
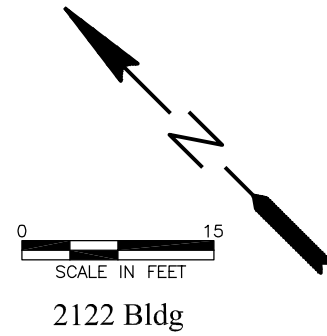


2158 JOHNSON STREET
P.O. BOX 1550
FORT MYERS, FLORIDA 33902-1550
PHONE (239) 334-0046
FAX (239) 334-3661
E.B. #642 & L.B. #642

Fort Myers Offices 2016

DATE	PROJECT NO.	FILE NO.	SCALE	SHEET
02/02/16	ProjNo	00-00-00	As Shown	1 of 1

JOHNSON STREET



THIRD FLOOR

McGREGOR BLVD

UPDATED 6/7/16

<http://www.johnsongis.com/Web-Misc/NewJEl-Bldg.htm>

[Link for Name List](#)

i:\AutoCad Maps\JEl Floor Plans\Ft Myers Offices 2014.dwg (3 Story - Level 3) ml2 Jun 07, 2016 - 2:04pm

Third Floor 3 Story Bldg
Johnson Engineering, Inc.



2158 JOHNSON STREET
P.O. BOX 1550
FORT MYERS, FLORIDA 33902-1550
PHONE (239) 334-0046
FAX (239) 334-3661
E.B. #642 & L.B. #642

Fort Myers Offices 2016

DATE	PROJECT NO.	FILE NO.	SCALE	SHEET
02/02/16	ProjNo	00-00-00	As Shown	1 of 1