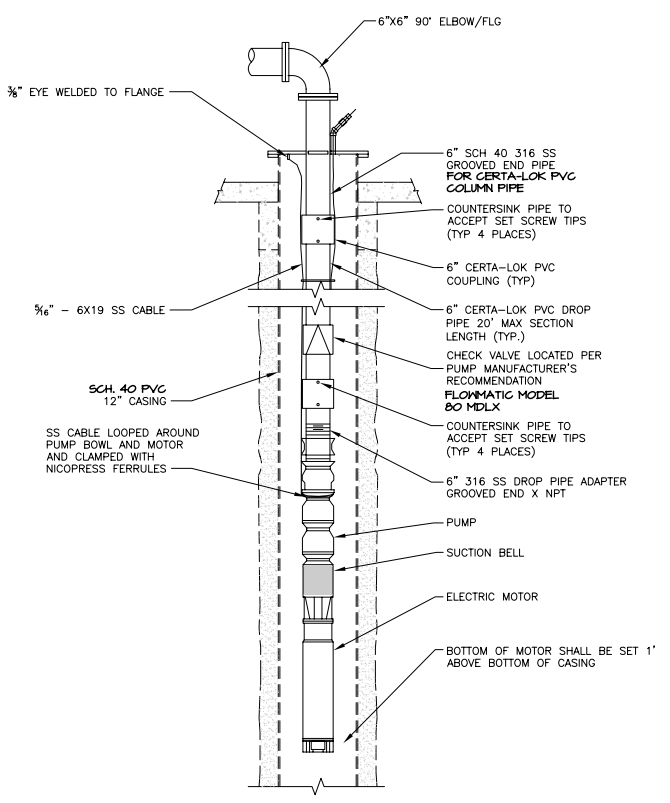
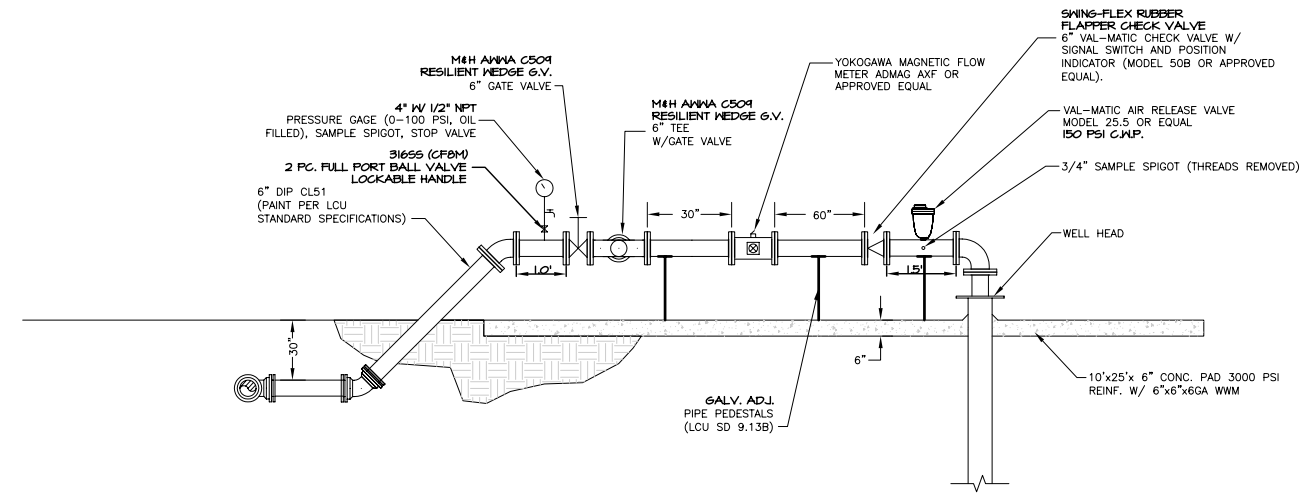


TYPICAL WELLHEAD

NOTE:
1. ALL WELLHEADS, ACCESS PORTS AND ASSOCIATED FITTINGS FOR THE WELLHEAD SHALL BE MADE OF 316 STAINLESS STEEL CONSTRUCTION.



PUMP COLUMN



TYPICAL DISCHARGE PIPING

NOTE:
1. ALL DISCHARGE PIPING SHALL BE DIP CL51 STARTING FROM THE UPPER FLANGE OF THE STAINLESS STEEL WELL HEAD.
2. ALL SAMPLE SPIGOTS AND ASSOCIATED FITTINGS EXITING THE DISCHARGE PIPING SHALL OF 316 STAINLESS STEEL CONSTRUCTION.

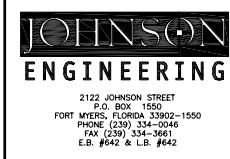
RECORD DRAWING

N:\20033735\WaterMgmt\RECORD DRAWINGS\Details.dwg (RECORD DETAILS - 45) jwm Oct 06, 2009 - 9:39am

NO.	DATE	REVISIONS



Corkscrew 5 MGD Wellfield Expansion



ERIK LEE HOWARD, PE
FL License No. 66574

Surficial Aquifer Wells Wellhead and Pump Details				
DATE	PROJECT NO.	FILE NO.	SCALE	SHEET
JAN., 2009	20033735	16-46-26	N.T.S.	45